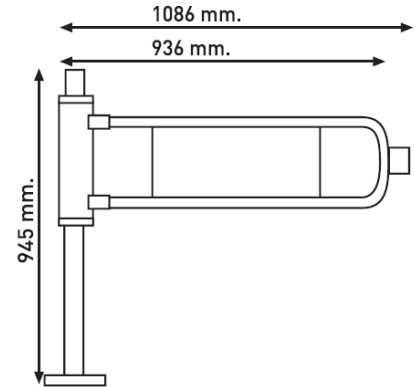
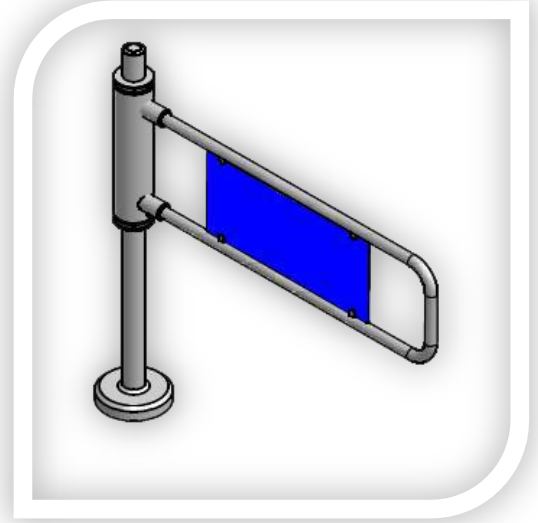


T 80 Leaf Turnstiles

- Nickel plating body and door
- Manual opening and automatic control
- One-way control
- Sign on plexi door plate according to field of use.
(Handicapped/stop sign etc.)
- Stylish design
- 10 Kg



- **Nickel Plating Body**
- **Easy to Use**
- **Strong Ergonomic Design**
- **% 100 Turkish, Production Continuity**
- **Certified Quality**
- **Continuous Service and Spare Parts Support**