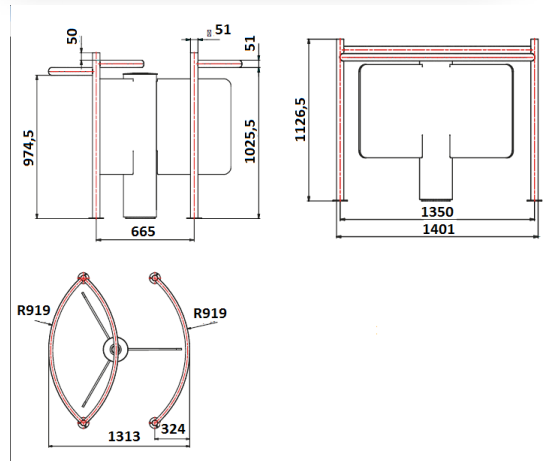
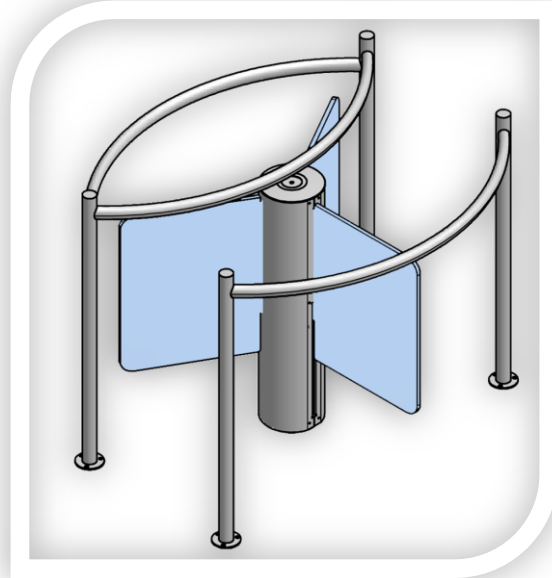


Control /Operation Voltage	:24VDC +-%20
Power Consumption	:30W
Body	:Stainless Steel Body
Operation Temperature	:-10° C - + 50 ° C
Dimensions	: Ø230x990 mm
Wing Dimension	: 500 mm
Wing	: 14 mm transparent plexiglass
Weight	: 35 kg
Locking	: With 24 V selenoid with special gear mechanism
Control	: 24 V control unit with programming function
Installation	:Simple & easy installation with a special pedestal.



- **304 Stainless Steel Body**
- **Easy to Use, Bi-directional Control**
- **Strong Ergonomic Design**
- **% 100 Turkish, Production Continuity**
- **Certified Quality**
- **Continuous Service and Spare Parts Support**

