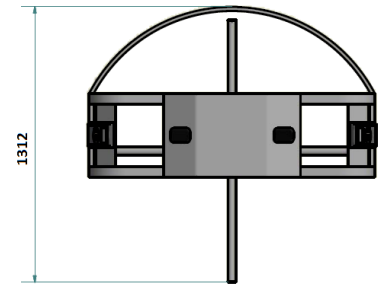
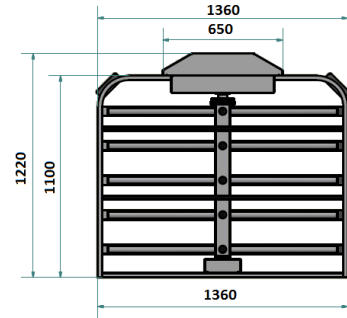
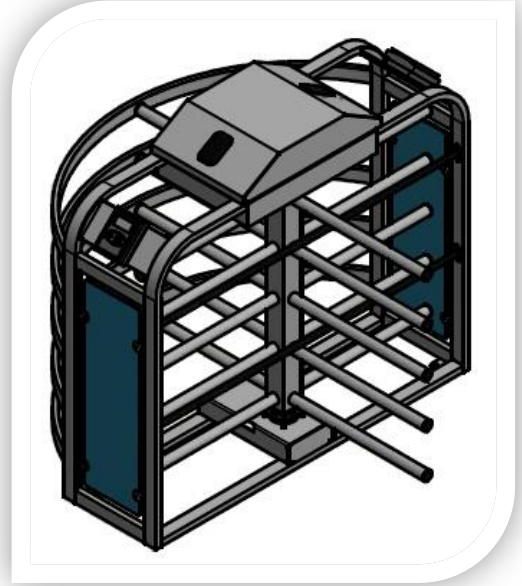


<b>Control /Operation Voltage</b>	:24VDC +/-%20
<b>Power Consumption</b>	:30W
<b>Passing Block</b>	:With controlled turning tripod arms positioned with 90 degrees
<b>Tripod Locking</b>	:With 24 V DC selenoids; locks when the selenoids are pulled. (In Emergency, system is shut down and turnstiles provide free passing in both directions.)
<b>Passing Direction Control</b>	:Free bi-directional entry-exit control
<b>Tripod Position Dedection</b>	:Direction of the tripod position with two microswitches.
<b>Motion Control</b>	:When the cycle starts to one direction, the reverse is blocked and after a half turn the rest of the cycle is completed, automatically and smoothly by a hydraulic shock absorber.
<b>Installation</b>	:Simple & easy installation with a special pedestal.
<b>Operation Temperature</b>	:- 20° C - + 70° C
<b>Indicators</b>	:One light indicator on both directions
<b>Dimensions</b>	: 1360x1312x1220 mm
<b>Weight</b>	: 180-200 kg
<b>Optional Accesories</b>	: Remote control, button unit, 4 armed.



- **304 Stainless Steel Body**
- **Easy to Use, Bi-directional Control**
- **Strong Ergonomic Design**
- **% 100 Turkish, Production Continuity**
- **Certified Quality**
- **Continuous Service and Spare Parts Support**

